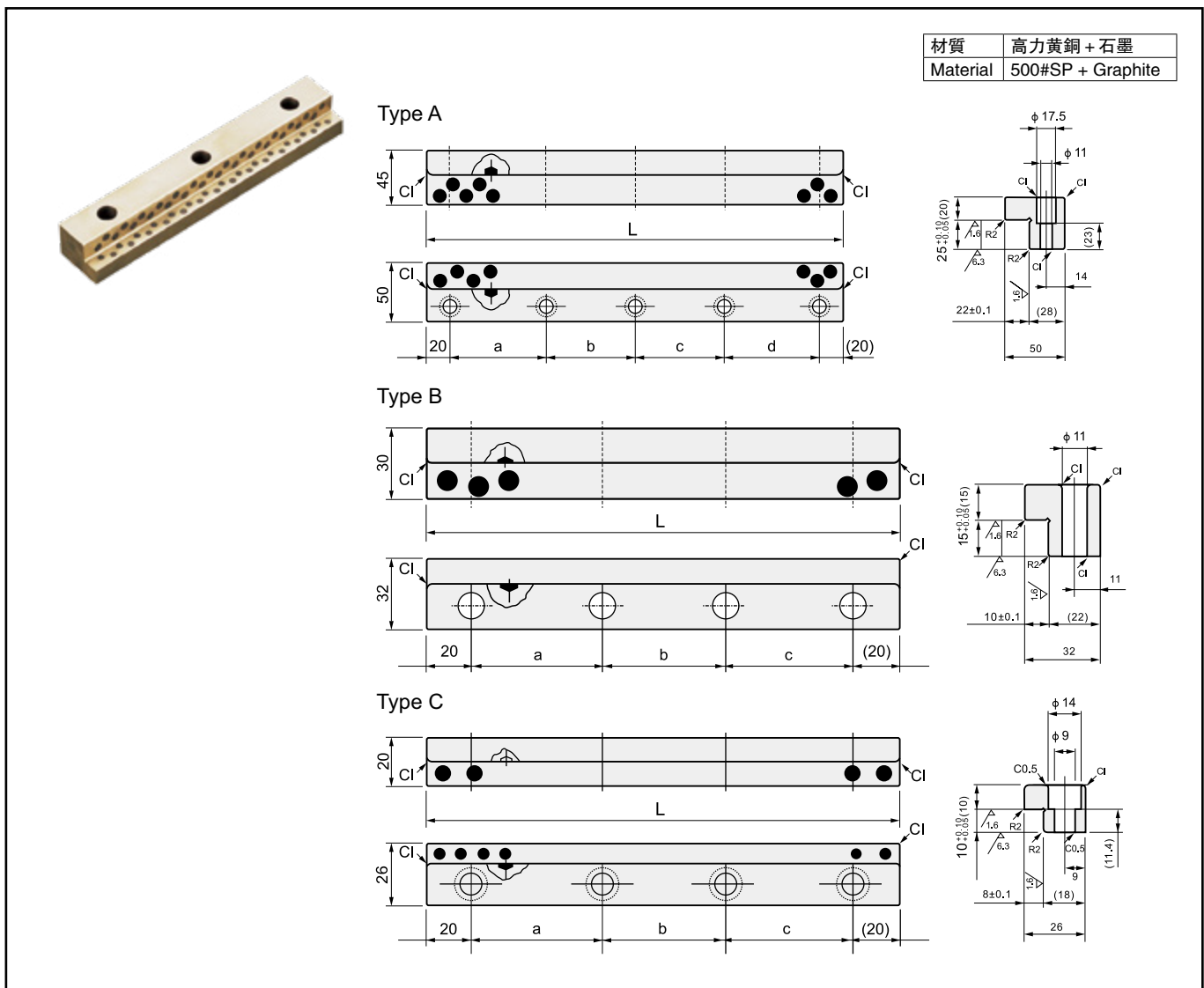


■ SLP 自潤 L 型導軌 Oilless L Type Plate



Unit(單位): mm

Part No.	Type	L	a	b	c	d	螺絲孔 Bolt	
							孔徑 Size	孔數 Q'ty
SLP-26100C	Type C	100	60	—	—	—	M8	2
SLP-26150C	"	150	55	55	"	"	"	3
SLP-26200C	"	200	"	50	55	"	"	4
SLP-32100B	Type B	100	60	—	—	"	M10	2
SLP-32150B	"	150	55	55	"	"	"	3
SLP-32200B	"	200	"	50	55	"	"	4
SLP-32250B	"	250	70	70	70	"	"	"
SLP-50200A	Type A	200	55	50	55	"	"	"
SLP-50250A	"	250	70	70	70	"	"	"
SLP-50300A	"	300	65	65	65	65	"	5
SLP-75400A	"	350	80	75	75	80	"	"